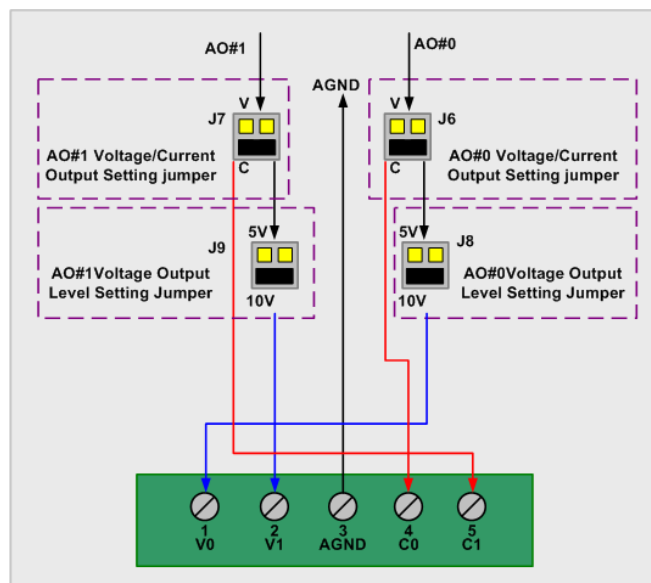


Quick Start Manual

1. Antenna connection : Refer the User's Manual for detailed
2. Power connection : Refer the User's Manual for detailed
3. Setting : Each device need setting before using. See below for table.
 - Refer the User's Manual for Hardware Setting
 - Refer the User's Manual and Environment Setting Program Manual for Software Setting

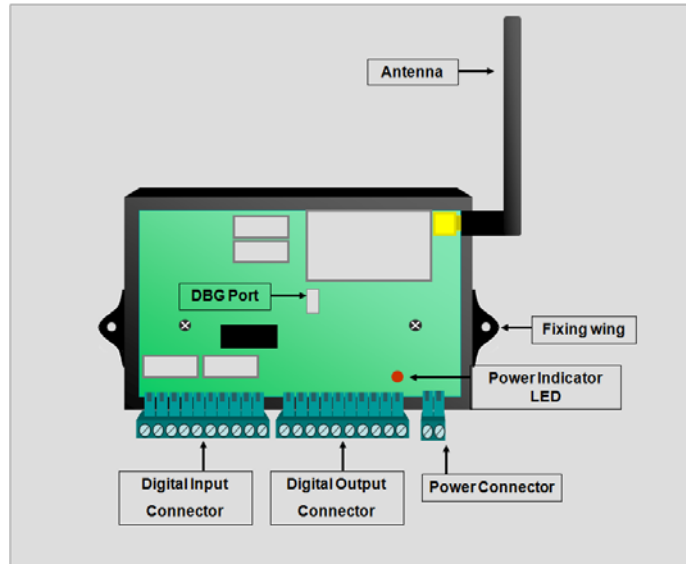
Group	Setting Item	Model					
		M110A	W210A	W310A	W410A	W510A	W610A
H/W	UART Mode	○					
	UART Baud Rate	○					
	Input Type (Voltage/Current)		○				○
	Output Type (Voltage/Current)					○	
S/W	PC/DEVICE Mode	○	○	○	○		○
	Destination	○	○	○	○		○
	RF Channel	○	○	○	○	○	○
	UART Mode	○					
	UART Bit	○					
	Period		○	○	○		○

- Setting point inside each device set in a Hardware Setting.
(ex : W510A)



Quick Start Manual

- DBG port inside each device use in a Software Setting
(ex : W310A)



- Use DBG port for PC connection, port and PC must be connected via data cable as shown in figure.

